



PRODUCT INFORMATION

Evaporator Model	:	CTL4.3/302-TCC	
Type	:	Direct Expansion (DX)	
Refrigerant	:	R404A	
Selection condition	:	SC1	SC2
		(Te = 0°C, RT= 10°C)	(Te = - 8 °C, RT= 0°C)
Cooling Capacity	:	6.04kW	4.01kW
Surface Area	:	10.16m ²	

TECHNICAL DETAILS

Fin Material	:	Aluminium
Fin Spacing	:	4.5 mm
Tube Material	:	Copper
Tube Volume	:	2.8 L
Casing	:	G.I Powder coated

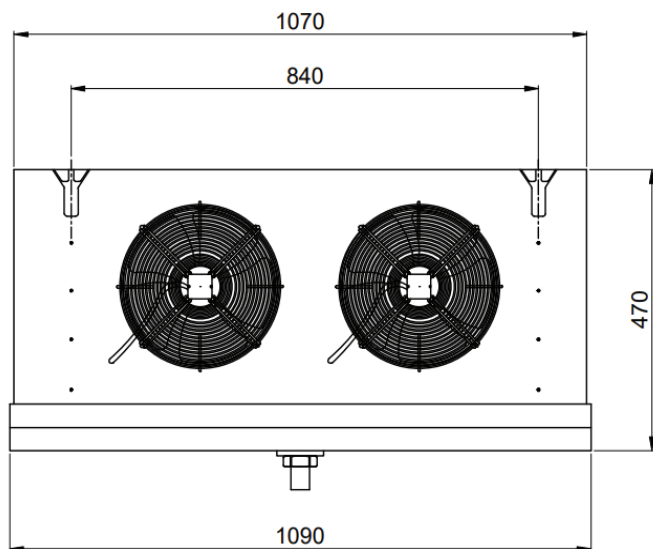
FAN & AIR FLOW

No. of fans	:	2
Fan Diameter	:	300 mm
Speed per fan	:	1380 rpm
Electric Power / fan	:	85 W
Air Flow	:	2900 m ³ /h
Air Throw	:	12 m

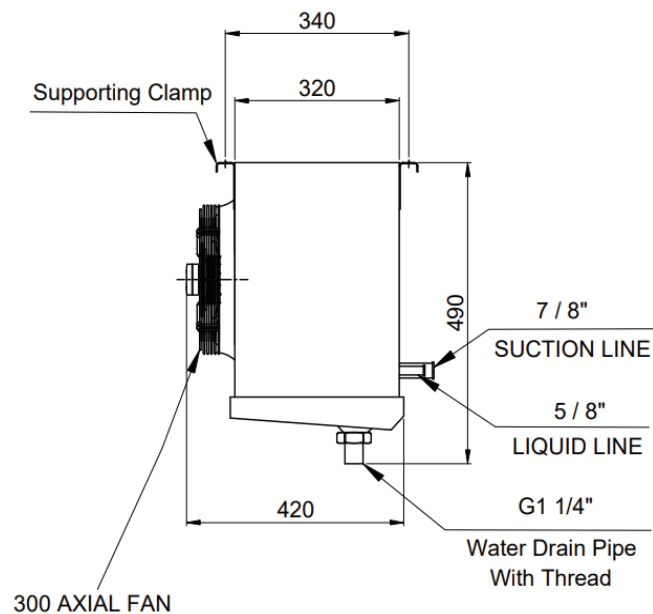
DEFROSTING

Defrosting type	:	Electric
Coil Heater	:	1700W
Tray Heater	:	NA

DIMENSIONS



All Dimensions are in mm.



NOTE:

- ❖ The actual air throw varies with product loading and several other factors.
- ❖ It is advised that the unit should not be used in a corrosive atmosphere.
- ❖ All data are subjected to change without prior notice.
- ❖ The fan and heater data could change slightly depending on the manufacturer's design and data changes.
- ❖ The technical and commercial information provided in this data sheet is a property of ColdTech Group, UAE info@coldtechgroup.com